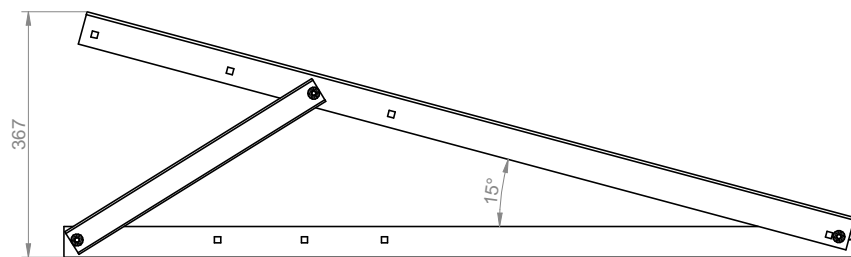
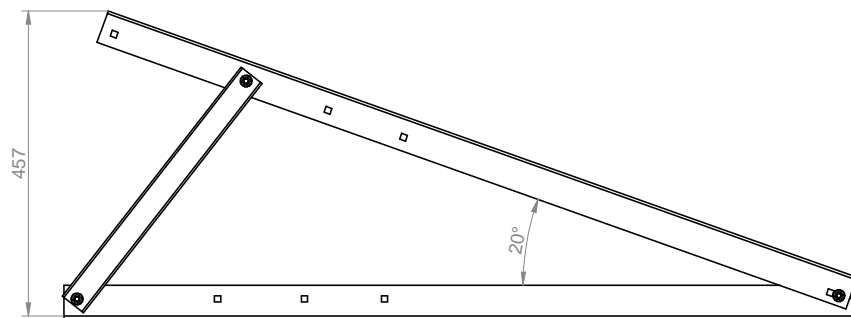
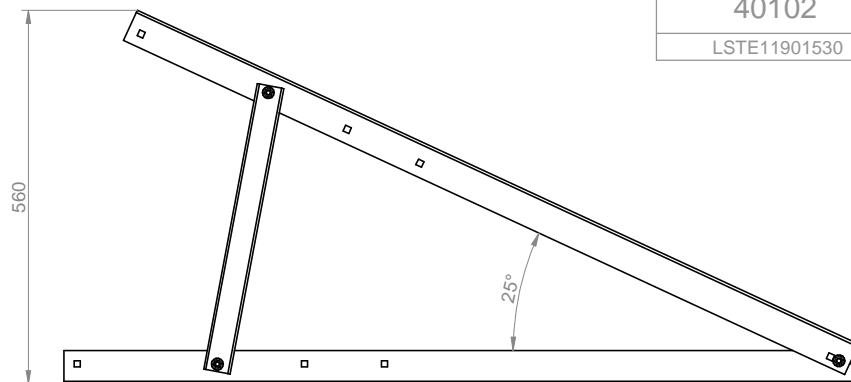
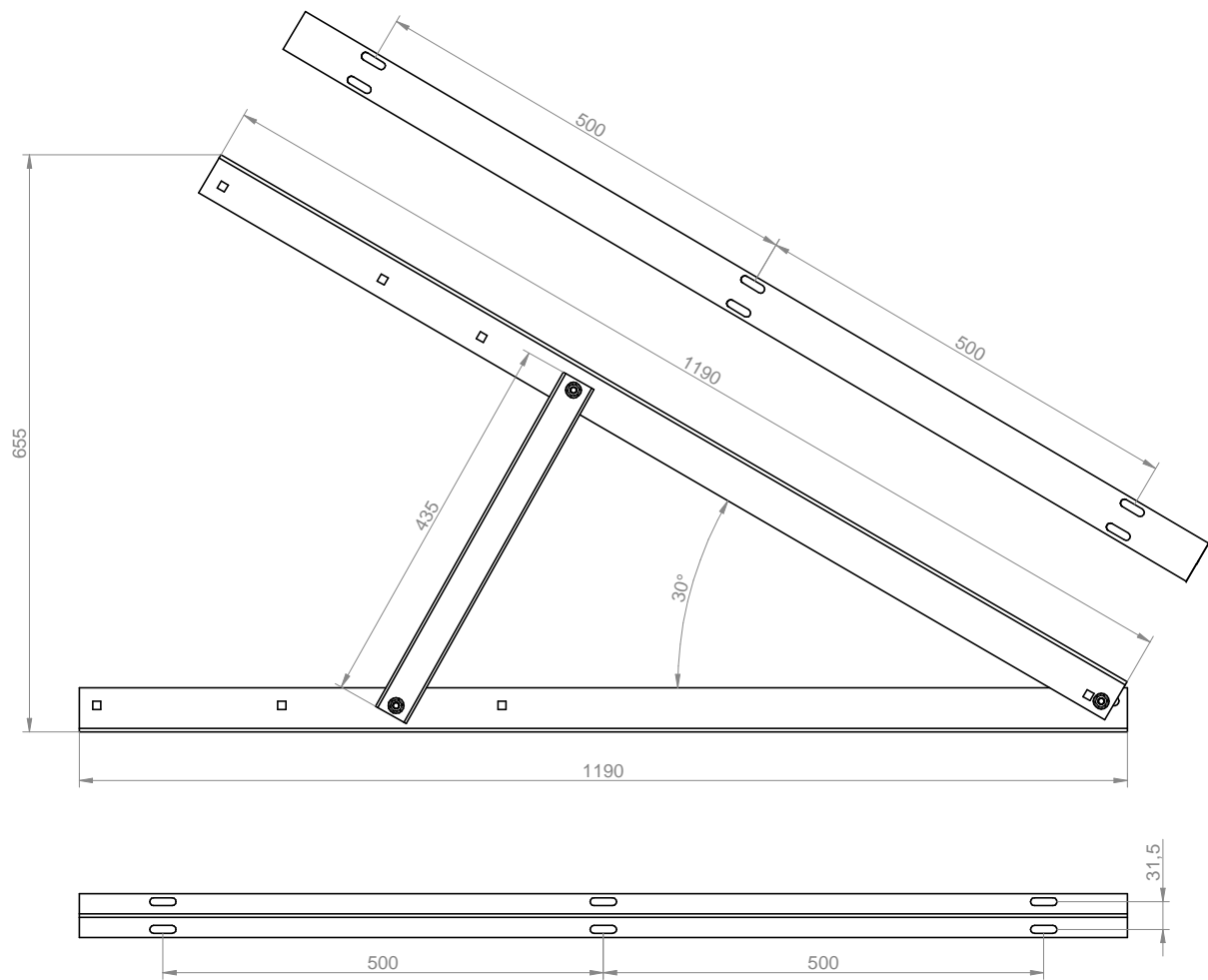


40102

LSTE11901530



C:\Documenti Utente\Tecnico Mounir\Disegni Fotovoltaico\Lizard SA\40102 - LSTE11901530.dft

General tolerances								Volume	Weight
<20 ± 0.1	>20 ± 0.2 <50	>50 ± 0.3 <150	>150 ± 0.5 <400	>400 ± 0.8	$\nabla \nabla \nabla - \nabla \nabla$ 0.8/	$\nabla \nabla - \nabla \nabla$ 3.2/	$\nabla - \nabla$ 12.5/	~ - ∇	2,70 kg

designed by: Pillon M.	approved by:	creation data: 16/04/2015
signature:	signature:	last modified: 13/11/2015
material:	replaces:	
cod. product: 40102	replaced by:	
description: Triangular support		scale

