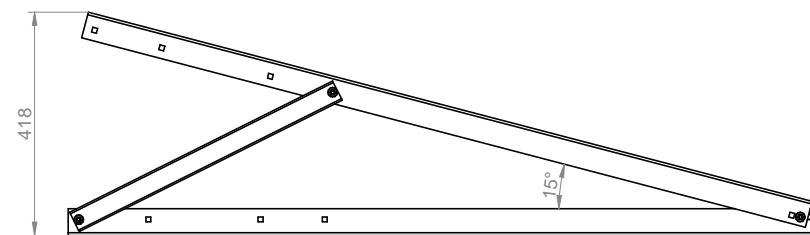
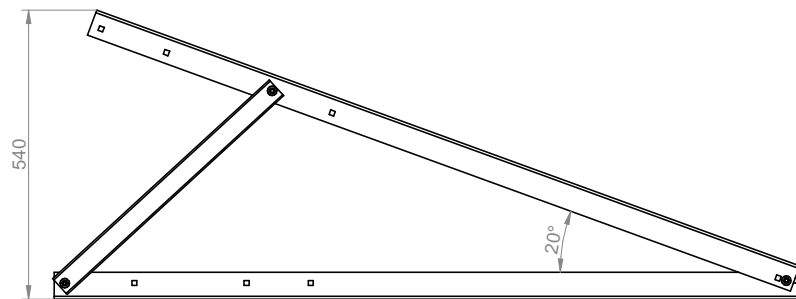
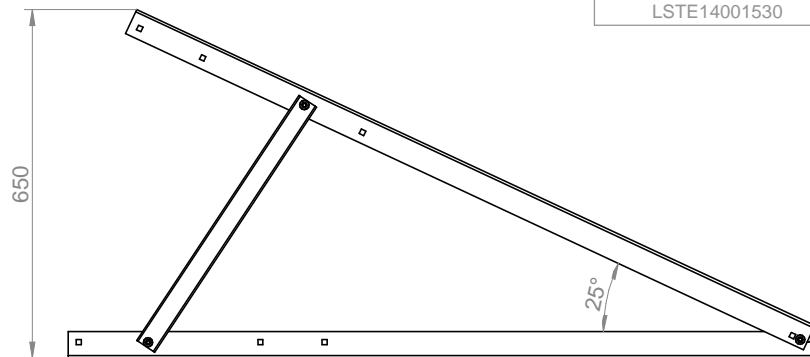
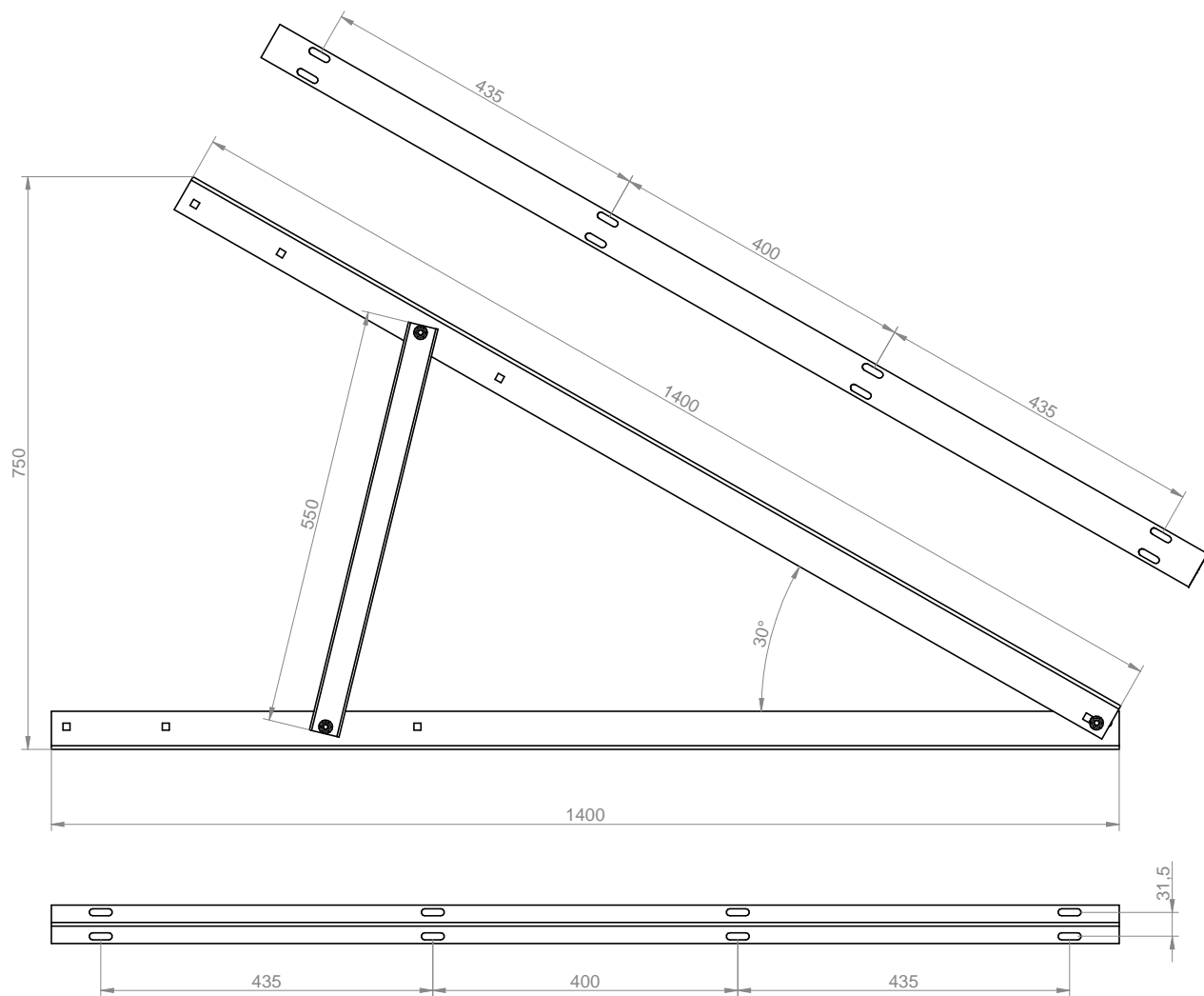


40103

LSTE14001530



C:\Documenti Utente\Tecnico Mounir\Disegni Fotovoltaico\Lizard SA\40103 - LSTE14001530.dft

General tolerances								Volume	Weight
<20 ± 0.1	>20 ± 0.2 <50	>50 ± 0.3 <150	>150 ± 0.5 <400	>400 ± 0.8	∇∇∇ - 0.8/∇	∇∇ - 3.2/∇	∇ - 12.5/∇	~ - ∇	3,87 kg

designed by: Pillon M.	approved by:	creation data: 16/04/2015			
signature:	signature:	last modified: 13/11/2015			
material:	replaces:				
cod. product: 40103	replaced by:				
description: Triangular support			scale		A4