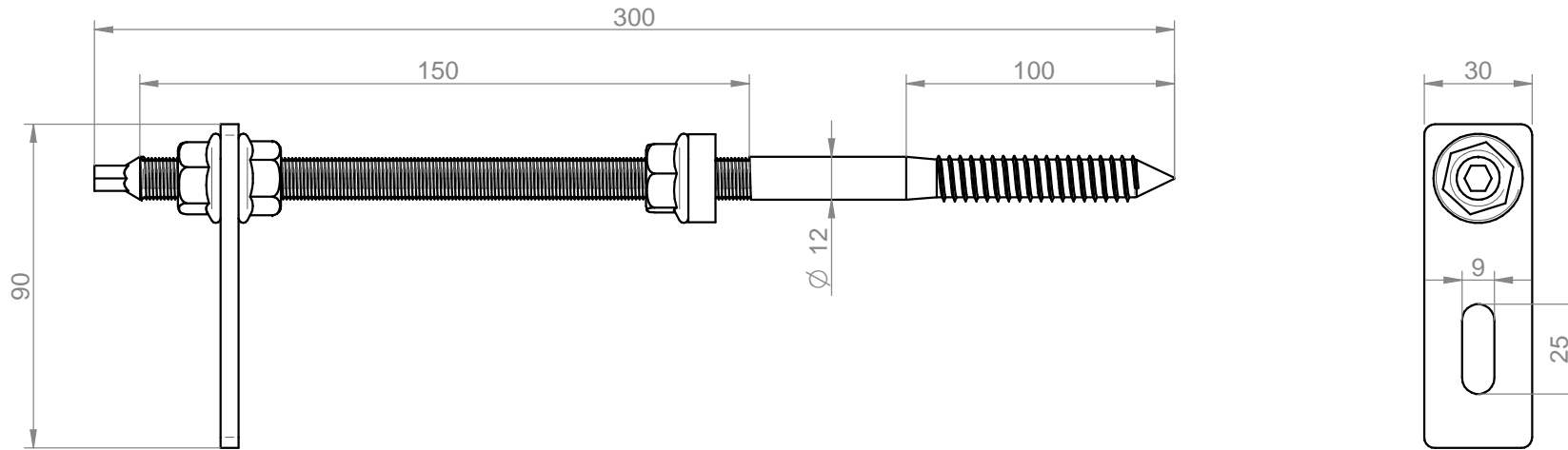


30102

LS530210



C:\Documenti Utente\Tecnico Mounir\Disegni Fotovoltaico\Lizard SA\30102 - LS530210.dft

General tolerances								Volume	Weight
<20 ± 0.1	>20 ± 0.2 <50	>50 ± 0.3 <150	>150 ± 0.5 <400	>400 ± 0.8	$\nabla \nabla \nabla = \frac{0.8}{\sqrt{\quad}}$	$\nabla \nabla = \frac{3.2}{\sqrt{\quad}}$	$\nabla = \frac{12.5}{\sqrt{\quad}}$	$\sim = \sqrt{\quad}$	0,38 kg

designed by: Pillon M.	approved by:	creation data: 16/04/2015			
signature:	signature:	last modified: 13/11/2015			
material:	replaces:				
cod. product: 30102	replaced by:				
description: Double thread screw 12x300 mm			scale		A4