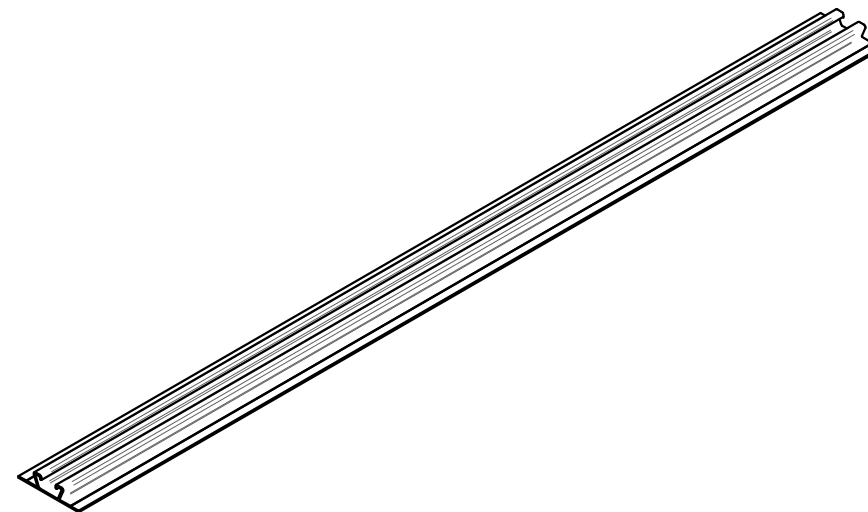
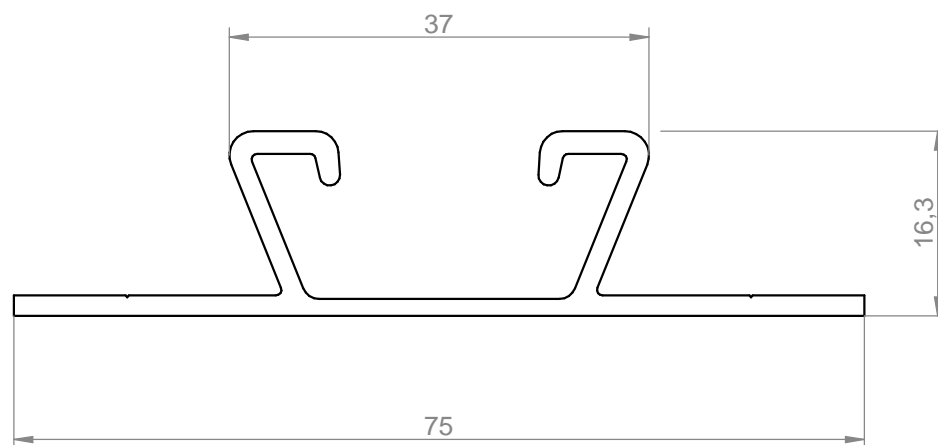


10102

LS165420



C:\Documenti Utente\Tecnico Mounir\Disegni Fotovoltaico\Lizard SA\10102 - LS165000.dft

General tolerances								Volume	Weight 0,60 kg
<20 ± 0.1	>20 ± 0.2 <50	>50 ± 0.3 <150	>150 ± 0.5 <400	>400 ± 0.8	$\nabla\nabla\nabla = \frac{0,8}{\sqrt{\quad}}$	$\nabla\nabla = \frac{3,2}{\sqrt{\quad}}$	$\nabla = \frac{12,5}{\sqrt{\quad}}$		

designed by: <b>Pillon M.</b>	approved by:	creation data: 16/04/2015	
signature:	signature:	last modified: 13/11/2015	
material: Aluminum, 6060-T6	replaces:		
cod. product: 10102	replaced by:		
description: Profile for PV modules			
scale			