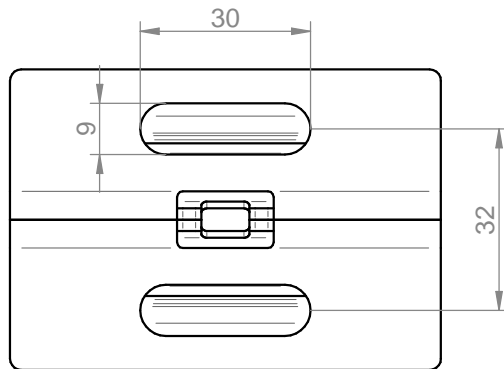
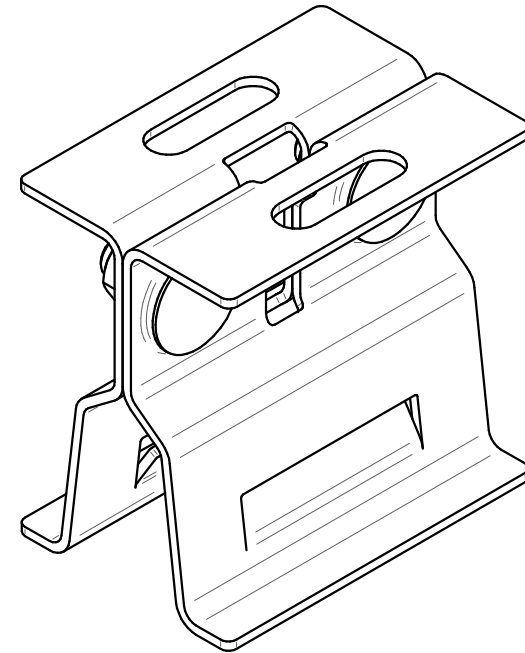
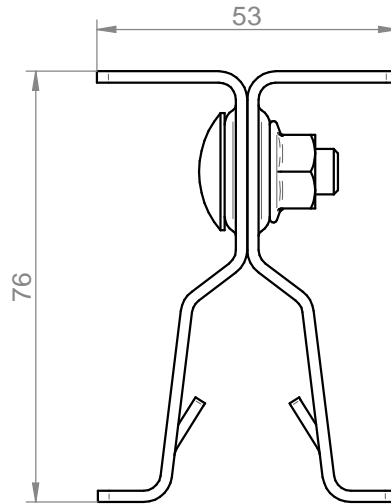
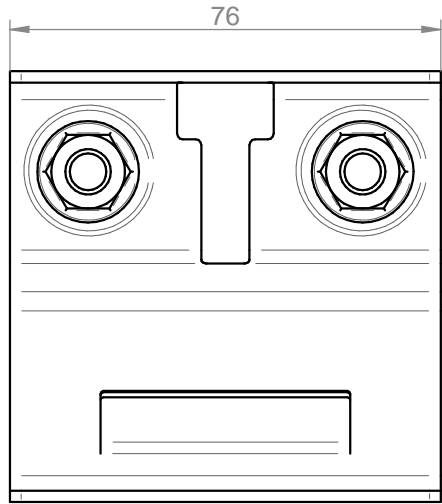


30106

LS700340



C:\Documenti Utente\Tecnico Mounir\Disegni Fotovoltaico\Lizard SA\30106 - LS700340.dft

General tolerances								Volume	Weight
<20 ± 0.1	>20 ± 0.2 <50	>50 ± 0.3 <150	>150 ± 0.5 <400	>400 ± 0.8	$\nabla \nabla \nabla = \frac{0.8}{\sqrt{\quad}}$	$\nabla \nabla = \frac{3.2}{\sqrt{\quad}}$	$\nabla = \frac{12.5}{\sqrt{\quad}}$	$\sim = \nabla$	0,31 kg

designed by: Pillon M.	approved by:	creation data: 13/11/2015	
signature:	signature:	last modified: 13/11/2015	
material:	replaces:		
cod. product: 30106	replaced by:		
description: Support for klip-lok			scale A4