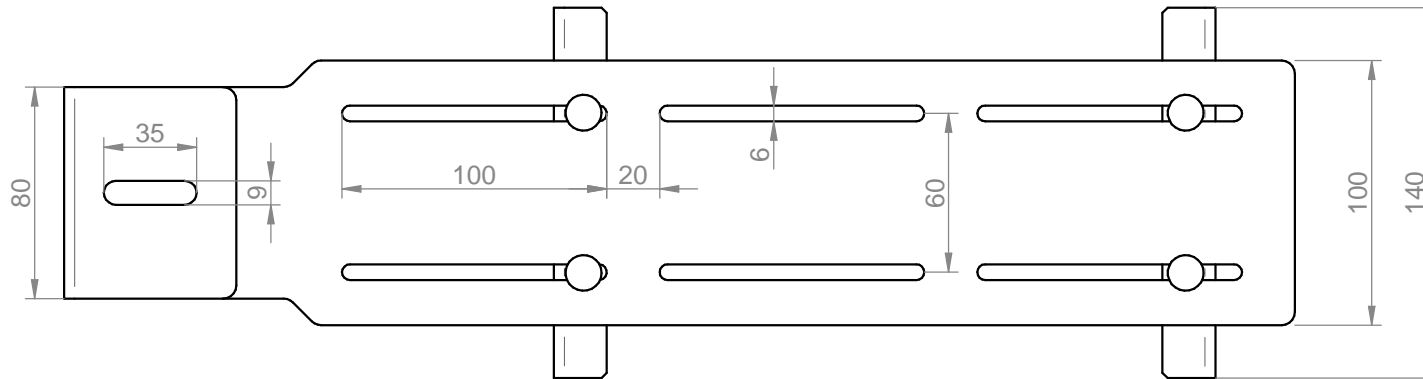
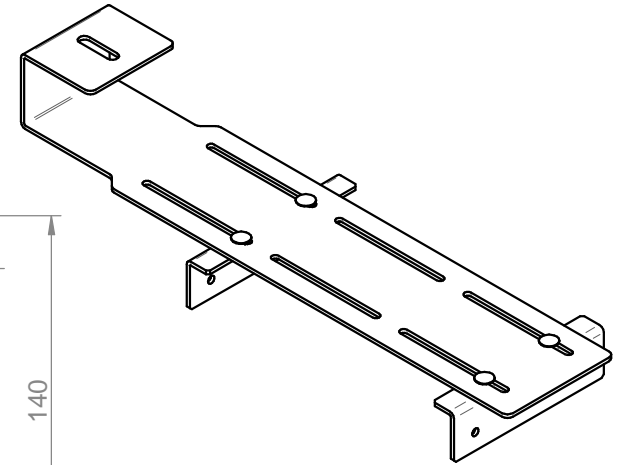
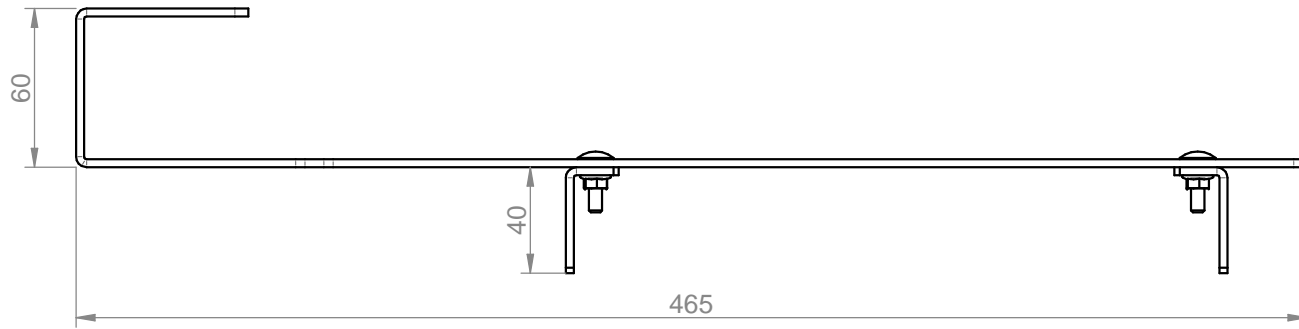


30312

LS300465



C:\Documenti Utente\Tecnico Mounir\Disegni Fotovoltaico\Lizard SA\30312 - LS300465.dft

General tolerances								Volume	Weight
<20 ± 0.1	>20 ± 0.2 <50	>50 ± 0.3 <150	>150 ± 0.5 <400	>400 ± 0.8	$\nabla \nabla \nabla = \frac{0.8}{\sqrt{\quad}}$	$\nabla \nabla = \frac{3.2}{\sqrt{\quad}}$	$\nabla = \frac{12.5}{\sqrt{\quad}}$		1,61 kg

designed by: <b>Pillon M.</b>	approved by:	creation data: 07/10/2015	
signature:	signature:	last modified: 13/11/2015	
material:	replaces:		
cod. product: 30312	replaced by:		
description: Slate tile support			scale  A4