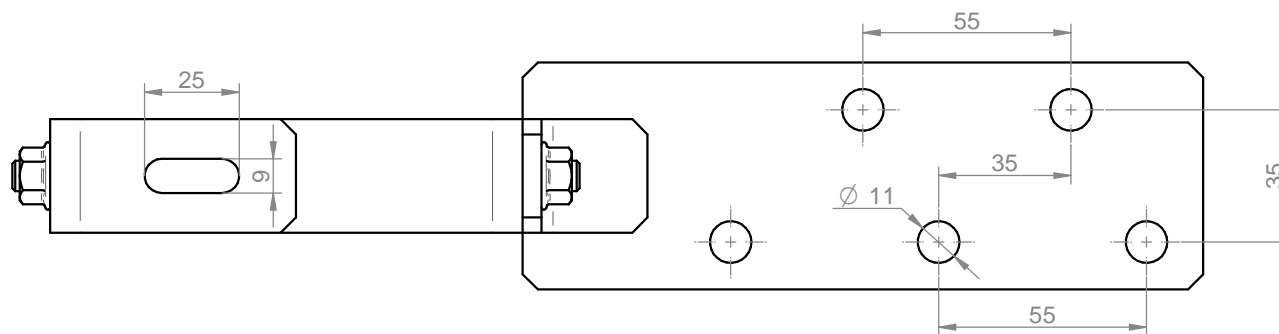
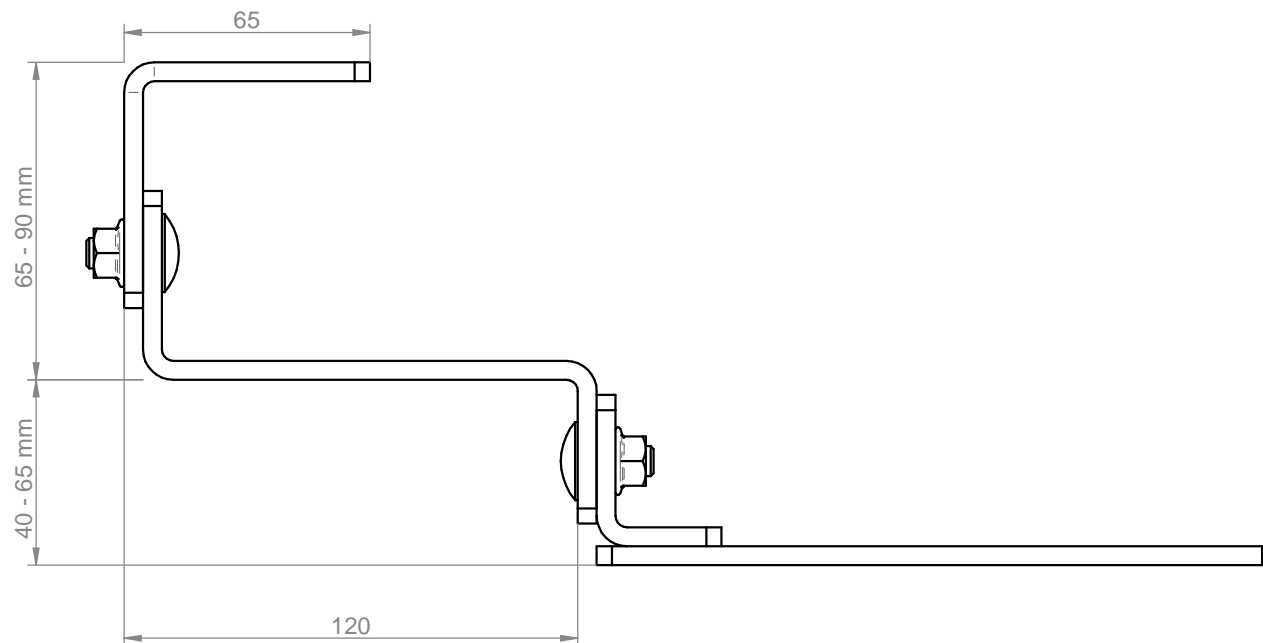


30104

LS400215



C:\Documenti Utente\Tecnico Mounir\Disegni Fotovoltaico\Lizard SA\30104 - LS400215.dft

General tolerances								Volume	Weight
<20 ± 0.1	>20 ± 0.2 <50	>50 ± 0.3 <150	>150 ± 0.5 <400	>400 ± 0.8	$\nabla \nabla \nabla = \frac{0.8}{\sqrt{\quad}}$	$\nabla \nabla = \frac{3.2}{\sqrt{\quad}}$	$\nabla = \frac{12.5}{\sqrt{\quad}}$		0,87 kg

designed by: Pillon M.	approved by:	creation data: 07/07/2015		
signature:	signature:	last modified: 13/11/2015		
material:	replaces:			
cod. product: 30104	replaced by:			
description: Adjustable roof fixing support			scale	